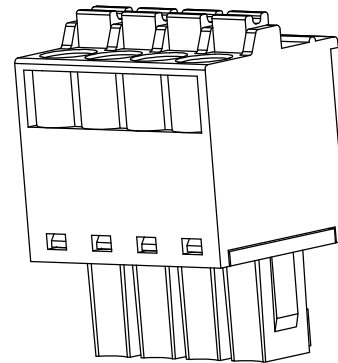
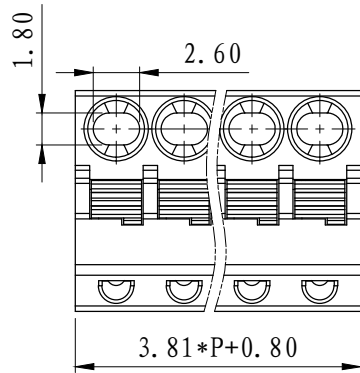
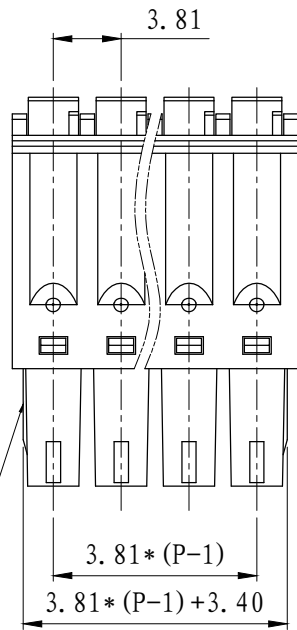


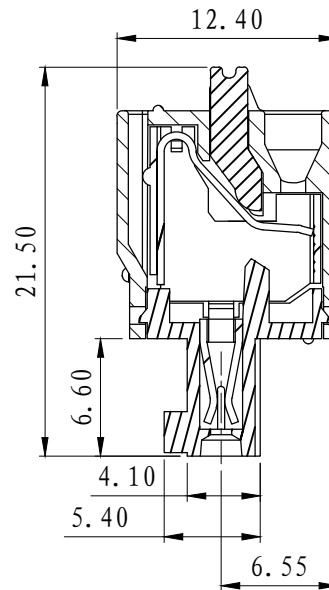
| REVISION RECORD | | | |
|-----------------|---------|------|------|
| REV. | CONTENT | MOD. | DATE |
| △ | 初版发行 | | |



NOTES:
 Pitch : 3.81mm
 Rated Voltage : 300V
 Rated Current : 8A
 Withstand Voltage :
 AC2500V for 1 minute
 Using Temperature Range :
 - 40℃ ~ + 105℃
 Wire range : 28~ 16AWG



小于或等于
6P有凸包,
大于6P无凸
包



技术要求:
 间距: 3.81mm
 额定电压: 300V
 额定电流: 8A
 耐电压值: AC2500V/min
 使用条件: -40℃~+105℃
 适用线规: 28~16AWG

| | pitch dimension | | | Nominal dimension | | | | | — |
|----------------|-----------------|--------|---------|-------------------|---------|---------|----------|----------|---|
| | over 0 | over 6 | over 10 | over 0 | over 30 | over 60 | over 100 | over 150 | |
| variable range | to 6 | to 10 | to 24 | to 30 | to 60 | to 100 | to 150 | | ◇ |
| Tolerance | ±0.1 | ±0.15 | ±0.25 | ±0.2 | ±0.3 | ±0.5 | ±0.7 | ±1.0 | ○ |

| | | | | | |
|---|-------------|--------------|---|---------|----|
| 5 | LC6-3.81-弹片 | F2A0DLC638BV | P | 不锈钢 | |
| 4 | LC6-3.81-夹子 | 1043B0001AV | P | 磷青铜 | 镀镍 |
| 3 | LC6-3.81-按钮 | 1043D0YXXAV | P | POM | |
| 2 | LC6-3.81-盖板 | 1043C0YXXAV | 1 | PA66-V0 | |
| 1 | LC6-3.81-主体 | 1043A0YXXAV | 1 | PA66-V0 | |

| NO. | NAME OF PART | NO. OF PART | QTY | MATERIAL | NOTES |
|------|--------------|-------------|----------|----------|-------|
| DES. | CMZ | DATE | 25/01/03 | UNITS | mm |
| CHK. | HH | DATE | 25/01/03 | SIZE | A4 |
| APP. | | DATE | | SCALE | |



上海联捷电气有限公司
Shanghai Elinker Electric CO.,LTD

| TITLE | |
|---------------------|--|
| LC6-3.81-XXP-1Y-00A | |
| LC6-3.81-成品 | |

| NO. | NAME OF PART | NO. OF PART | QTY | MATERIAL | NOTES |
|------|--------------|-------------|----------|----------|-------|
| DES. | CMZ | DATE | 25/01/03 | UNITS | mm |
| CHK. | HH | DATE | 25/01/03 | SIZE | A4 |
| APP. | | DATE | | SCALE | |

| NO. | NAME OF PART | NO. OF PART | QTY | MATERIAL | NOTES |
|------|--------------|-------------|----------|----------|-------|
| DES. | CMZ | DATE | 25/01/03 | UNITS | mm |
| CHK. | HH | DATE | 25/01/03 | SIZE | A4 |
| APP. | | DATE | | SCALE | |

| NO. | NAME OF PART | NO. OF PART | QTY | MATERIAL | NOTES |
|------|--------------|-------------|----------|----------|-------|
| DES. | CMZ | DATE | 25/01/03 | UNITS | mm |
| CHK. | HH | DATE | 25/01/03 | SIZE | A4 |
| APP. | | DATE | | SCALE | |

| NO. | NAME OF PART | NO. OF PART | QTY | MATERIAL | NOTES |
|------|--------------|-------------|----------|----------|-------|
| DES. | CMZ | DATE | 25/01/03 | UNITS | mm |
| CHK. | HH | DATE | 25/01/03 | SIZE | A4 |
| APP. | | DATE | | SCALE | |

| NO. | NAME OF PART | NO. OF PART | QTY | MATERIAL | NOTES |
|------|--------------|-------------|----------|----------|-------|
| DES. | CMZ | DATE | 25/01/03 | UNITS | mm |
| CHK. | HH | DATE | 25/01/03 | SIZE | A4 |
| APP. | | DATE | | SCALE | |

| NO. | NAME OF PART | NO. OF PART | QTY | MATERIAL | NOTES |
|------|--------------|-------------|----------|----------|-------|
| DES. | CMZ | DATE | 25/01/03 | UNITS | mm |
| CHK. | HH | DATE | 25/01/03 | SIZE | A4 |
| APP. | | DATE | | SCALE | |

| NO. | NAME OF PART | NO. OF PART | QTY | MATERIAL | NOTES |
|------|--------------|-------------|----------|----------|-------|
| DES. | CMZ | DATE | 25/01/03 | UNITS | mm |
| CHK. | HH | DATE | 25/01/03 | SIZE | A4 |
| APP. | | DATE | | SCALE | |

| NO. | NAME OF PART | NO. OF PART | QTY | MATERIAL | NOTES |
|------|--------------|-------------|----------|----------|-------|
| DES. | CMZ | DATE | 25/01/03 | UNITS | mm |
| CHK. | HH | DATE | 25/01/03 | SIZE | A4 |
| APP. | | DATE | | SCALE | |

| NO. | NAME OF PART | NO. OF PART | QTY | MATERIAL | NOTES |
|------|--------------|-------------|----------|----------|-------|
| DES. | CMZ | DATE | 25/01/03 | UNITS | mm |
| CHK. | HH | DATE | 25/01/03 | SIZE | A4 |
| APP. | | DATE | | SCALE | |

| NO. | NAME OF PART | NO. OF PART | QTY | MATERIAL | NOTES |
|------|--------------|-------------|----------|----------|-------|
| DES. | CMZ | DATE | 25/01/03 | UNITS | mm |
| CHK. | HH | DATE | 25/01/03 | SIZE | A4 |
| APP. | | DATE | | SCALE | |

| NO. | NAME OF PART | NO. OF PART | QTY | MATERIAL | NOTES |
|------|--------------|-------------|----------|----------|-------|
| DES. | CMZ | DATE | 25/01/03 | UNITS | mm |
| CHK. | HH | DATE | 25/01/03 | SIZE | A4 |
| APP. | | DATE | | SCALE | |

| NO. | NAME OF PART | NO. OF PART | QTY | MATERIAL | NOTES |
|------|--------------|-------------|----------|----------|-------|
| DES. | CMZ | DATE | 25/01/03 | UNITS | mm |
| CHK. | HH | DATE | 25/01/03 | SIZE | A4 |
| APP. | | DATE | | SCALE | |

| NO. | NAME OF PART | NO. OF PART | QTY | MATERIAL | NOTES |
|------|--------------|-------------|----------|----------|-------|
| DES. | CMZ | DATE | 25/01/03 | UNITS | mm |
| CHK. | HH | DATE | 25/01/03 | SIZE | A4 |
| APP. | | DATE | | SCALE | |

| NO. | NAME OF PART | NO. OF PART | QTY | MATERIAL | NOTES |
|------|--------------|-------------|----------|----------|-------|
| DES. | CMZ | DATE | 25/01/03 | UNITS | mm |
| CHK. | HH | DATE | 25/01/03 | SIZE | A4 |
| APP. | | DATE | | SCALE | |

| NO. | NAME OF PART | NO. OF PART | QTY | MATERIAL | NOTES |
|------|--------------|-------------|----------|----------|-------|
| DES. | CMZ | DATE | 25/01/03 | UNITS | mm |
| CHK. | HH | DATE | 25/01/03 | SIZE | A4 |
| APP. | | DATE | | SCALE | |

| NO. | NAME OF PART | NO. OF PART | QTY | MATERIAL | NOTES |
|------|--------------|-------------|----------|----------|-------|
| DES. | CMZ | DATE | 25/01/03 | UNITS | mm |
| CHK. | HH | DATE | 25/01/03 | SIZE | A4 |
| APP. | | DATE | | SCALE | |

| NO. | NAME OF PART | NO. OF PART | QTY | MATERIAL | NOTES |
|------|--------------|-------------|----------|----------|-------|
| DES. | CMZ | DATE | 25/01/03 | UNITS | mm |
| CHK. | HH | DATE | 25/01/03 | SIZE | A4 |
| APP. | | DATE | | SCALE | |

| NO. | NAME OF PART | NO. OF PART | QTY | MATERIAL | NOTES |
|------|--------------|-------------|----------|----------|-------|
| DES. | CMZ | DATE | 25/01/03 | UNITS | mm |
| CHK. | HH | DATE | 25/01/03 | SIZE | A4 |
| APP. | | DATE | | SCALE | |

| NO. | NAME OF PART | NO. OF PART | QTY | MATERIAL | NOTES |
|------|--------------|-------------|----------|----------|-------|
| DES. | CMZ | DATE | 25/01/03 | UNITS | mm |
| CHK. | HH | DATE | 25/01/03 | SIZE | A4 |
| APP. | | DATE | | SCALE | |

| NO. | NAME OF PART | NO. OF PART | QTY | MATERIAL | NOTES |
|------|--------------|-------------|----------|----------|-------|
| DES. | CMZ | DATE | 25/01/03 | UNITS | mm |
| CHK. | HH | DATE | 25/01/03 | SIZE | A4 |
| APP. | | DATE | | SCALE | |

| NO. | NAME OF PART | NO. OF PART | QTY | MATERIAL | NOTES |
|------|--------------|-------------|----------|----------|-------|
| DES. | CMZ | DATE | 25/01/03 | UNITS | mm |
| CHK. | HH | DATE | 25/01/03 | SIZE | A4 |
| APP. | | DATE | | SCALE | |

| NO. | NAME OF PART | NO. OF PART | QTY | MATERIAL | NOTES |
|------|--------------|-------------|----------|----------|-------|
| DES. | CMZ | DATE | 25/01/03 | UNITS | mm |
| CHK. | HH | DATE | 25/01/03 | SIZE | A4 |
| APP. | | DATE | | SCALE | |

| NO. | NAME OF PART | NO. OF PART | QTY | MATERIAL | NOTES |
|------|--------------|-------------|----------|----------|-------|
| DES. | CMZ | DATE | 25/01/03 | UNITS | mm |
| CHK. | HH | DATE | 25/01/03 | SIZE | A4 |
| APP. | | DATE | | SCALE | |

| NO. | NAME OF PART | NO. OF PART | QTY | MATERIAL | NOTES |
|------|--------------|-------------|----------|----------|-------|
| DES. | CMZ | DATE | 25/01/03 | UNITS | mm |
| CHK. | HH | DATE | 25/01/03 | SIZE | A4 |
| APP. | | DATE | | SCALE | |

| NO. | NAME OF PART | NO. OF PART | QTY | MATERIAL | NOTES |
|------|--------------|-------------|----------|----------|-------|
| DES. | CMZ | DATE | 25/01/03 | UNITS | mm |
| CHK. | HH | DATE | 25/01/03 | SIZE | A4 |
| APP. | | DATE | | SCALE | |

| NO. | NAME OF PART | NO. OF PART | QTY | MATERIAL | NOTES |
|------|--------------|-------------|----------|----------|-------|
| DES. | CMZ | DATE | 25/01/03 | UNITS | mm |
| CHK. | HH | DATE | 25/01/03 | SIZE | A4 |
| APP. | | DATE | | SCALE | |

| NO. | NAME OF PART | NO. OF PART | QTY | MATERIAL | NOTES |
|------|--------------|-------------|----------|----------|-------|
| DES. | CMZ | DATE | 25/01/03 | UNITS | mm |
| CHK. | HH | DATE | 25/01/03 | SIZE | A4 |
| APP. | | DATE | | SCALE | |

| NO. | NAME OF PART | NO. OF PART | QTY | MATERIAL | NOTES |
|------|--------------|-------------|----------|----------|-------|
| DES. | CMZ | DATE | 25/01/03 | UNITS | mm |
| CHK. | HH | DATE | 25/01/03 | SIZE | A4 |
| APP. | | DATE | | SCALE | |

| NO. | NAME OF PART | NO. OF PART | QTY | MATERIAL | NOTES |
|------|--------------|-------------|----------|----------|-------|
| DES. | CMZ | DATE | 25/01/03 | UNITS | mm |
| CHK. | HH | DATE | 25/01/03 | SIZE | A4 |
| APP. | | DATE | | SCALE | |

| NO. | NAME OF PART | NO. OF PART | QTY | MATERIAL | NOTES |
|------|--------------|-------------|----------|----------|-------|
| DES. | CMZ | DATE | 25/01/03 | UNITS | mm |
| CHK. | HH | DATE | 25/01/03 | SIZE | A4 |
| APP. | | DATE | | SCALE | |

| NO. | NAME OF PART | NO. OF PART | QTY | MATERIAL | NOTES |
|------|--------------|-------------|----------|----------|-------|
| DES. | CMZ | DATE | 25/01/03 | UNITS | mm |
| CHK. | HH | DATE | 25/01/03 | SIZE | A4 |
| APP. | | DATE | | SCALE | |

| NO. | NAME OF PART | NO. OF PART | QTY | MATERIAL | NOTES |
|------|--------------|-------------|----------|----------|-------|
| DES. | CMZ | DATE | 25/01/03 | UNITS | mm |
| CHK. | HH | DATE | 25/01/03 | SIZE | A4 |
| APP. | | DATE | | SCALE | |

| NO. | NAME OF PART | NO. OF PART | QTY | MATERIAL | NOTES |
|------|--------------|-------------|----------|----------|-------|
| DES. | CMZ | DATE | 25/01/03 | UNITS | mm |
| CHK. | HH | DATE | 25/01/03 | SIZE | A4 |
| APP. | | DATE | | SCALE | |

| NO. | NAME OF PART | NO. OF PART | QTY | MATERIAL | NOTES |
|------|--------------|-------------|----------|----------|-------|
| DES. | CMZ | DATE | 25/01/03 | UNITS | mm |
| CHK. | HH | DATE | 25/01/03 | SIZE | A4 |
| APP. | | DATE | | SCALE | |

| NO. | NAME OF PART | NO. OF PART | QTY | MATERIAL | NOTES |
|------|--------------|-------------|----------|----------|-------|
| DES. | CMZ | DATE | 25/01/03 | UNITS | mm |
| CHK. | HH | DATE | 25/01/03 | SIZE | A4 |
| APP. | | DATE | | SCALE | |

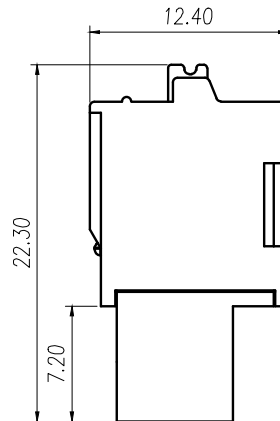
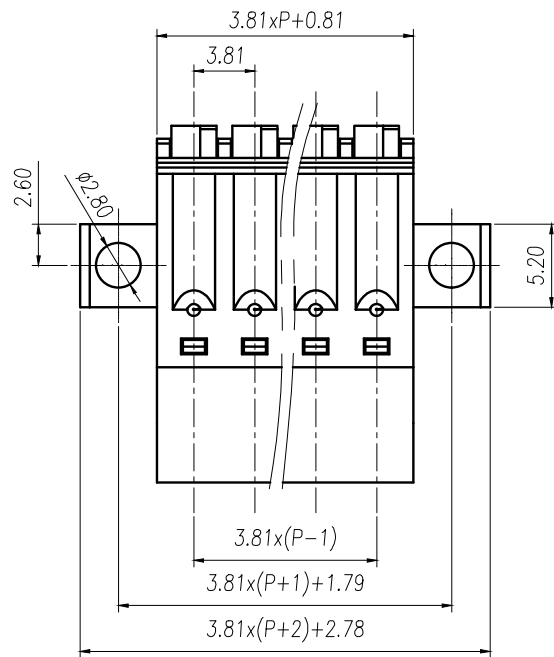
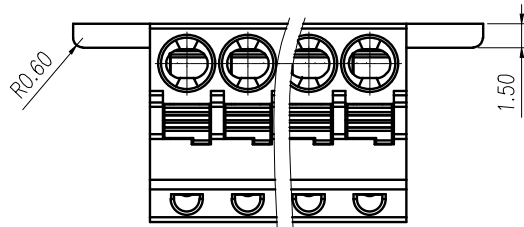
| NO. | NAME OF PART | NO. OF PART | QTY | MATERIAL | NOTES |
|------|--------------|-------------|----------|----------|-------|
| DES. | CMZ | DATE | 25/01/03 | UNITS | mm |
| CHK. | HH | DATE | 25/01/03 | SIZE | A4 |
| APP. | | DATE | | SCALE | |

| NO. | NAME OF PART | NO. OF PART | QTY | MATERIAL | NOTES |
|------|--------------|-------------|----------|----------|-------|
| DES. | CMZ | DATE | 25/01/03 | UNITS | mm |
| CHK. | HH | DATE | 25/01/03 | SIZE | A4 |
| APP. | | DATE | | SCALE | |

| NO. | NAME OF PART | NO. OF PART | QTY | MATERIAL | NOTES |
|------|--------------|-------------|----------|----------|-------|
| DES. | CMZ | DATE | 25/01/03 | UNITS | mm |
| CHK. | HH | DATE | 25/01/03 | SIZE | A4 |
| APP. | | DATE | | SCALE | |

| NO. | NAME OF PART | NO. OF PART | QTY | MATERIAL | NOTES |
|------|--------------|-------------|-----|----------|-------|
| DES. | CMZ | | | | |

| REVISION RECORD | | | |
|-----------------|---------|------|------|
| REV. | CONTENT | MOD. | DATE |
| △ | 初版发行 | | |



NOTES1:

UL Standard:

- 1.Voltage Rating: 300V, Current Rating: 8A
- 2.Suitable Electric Wire: 28-16AWG

IEC Standard:

- 1.Voltage Rating: 160V, Current Rating: 8A
- 2.Suitable Electric Wire: 26-14AWG

NOTES2:

- 1.Pitch : 3.81mm
- 2.Withstand Voltage : AC2500V for 1 minute
- 3.Insulation Resistance : 500MΩ / DC500V
- 4.Using Temperature Range : - 40℃ ~ + 105℃

技术要求1:

UL 标准:

1. 额定电压: 300V, 额定电流: 8A
2. 适用线规: 28~16AWG

IEC 标准:

1. 额定电压: 160V, 额定电流: 8A
2. 适用线规: 26~14AWG

技术要求2:

1. 间距: 3.81mm
2. 耐电压值: AC2500V/min
3. 绝缘阻抗: 500MΩ/DC500V
4. 使用条件: -40℃~+105℃

| | pitch dimension | | | Nominal dimension | | | | | — ◇ ○ |
|----------------|-----------------|--------------|---------------|-------------------|---------------|----------------|-----------------|-------------|-------------|
| | over 0 to 6 | over 6 to 10 | over 10 to 24 | over 0 to 30 | over 30 to 60 | over 60 to 100 | over 100 to 150 | | |
| variable range | 0 to 6 | 6 to 10 | 10 to 24 | 0 to 30 | 30 to 60 | 60 to 100 | 100 to 150 | — ◇ ○ | |
| Tolerance | ±0.1 | ±0.15 | ±0.25 | ±0.2 | ±0.3 | ±0.5 | ±0.7 ±1.0 | 0.05/10 | |

| 5 | LC60-3.81五金件 | 2079B0001AV | P | 磷青铜 | 镀亮锡 | |
|---|---------------|--------------|-------------|---------|----------|------------------------------|
| 4 | LC6-3.81-弹片 | F2A0DLC638BV | P | 不锈钢 | | |
| 3 | LC6-3.81-按钮 | 1043D0YXXAV | P | POM | | |
| 2 | LC60-3.81-盖板 | 2081M0YXXAV | 1 | PA66-V0 | | |
| 1 | LC60N-3.81-本体 | 2082A0YXXAV | 1 | PA66-V0 | | |
| NO. | NAME OF PART | | NO. OF PART | Q' TY | MATERIAL | NOTES |
| DES. | WY | DATE | 2020/06/01 | UNITS | MM | THIRD ANGLE PROJECTION SHEET |
| CHK. | | DATE | | SIZE | A4 | ⊕ SHEET 1 of 1 |
| APP. | | DATE | | SCALE | 1:1 | DWG NO. SP-1-2082140 REV: V0 |
|  上海联捷电气有限公司 Shanghai Elinker Electric Co., LTD | | | | | TITLE | LC60N-3.81-XXP-1Y-00A |
| | | | | | | LC60N-3.81-成品 |